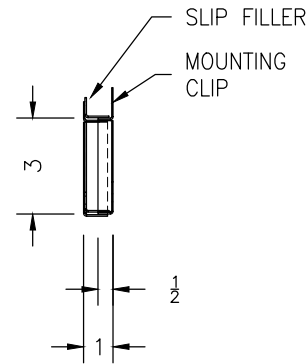
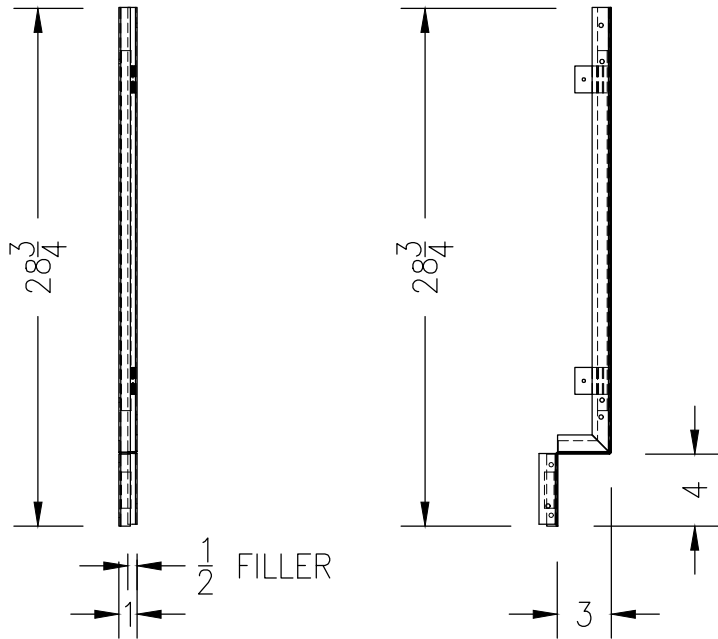


SCRIBE

1"W LEFT SCRIBE SITTING HEIGHT FRONT FILLER PANEL



- SCRIBE FILLER TO BE USED FOR LEFT HAND APPLICATIONS
- COLOR: WARM GRAY
- SLIP FILLER INCLUDED
- FILLERS CAN BE CUT TO FIT

FILLER GAUGES	
18 GAUGE	FILLER PANELS