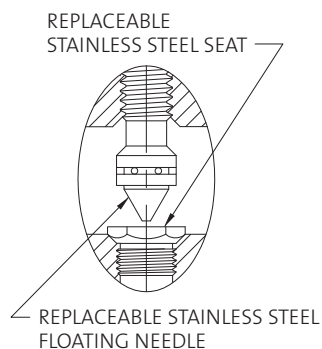
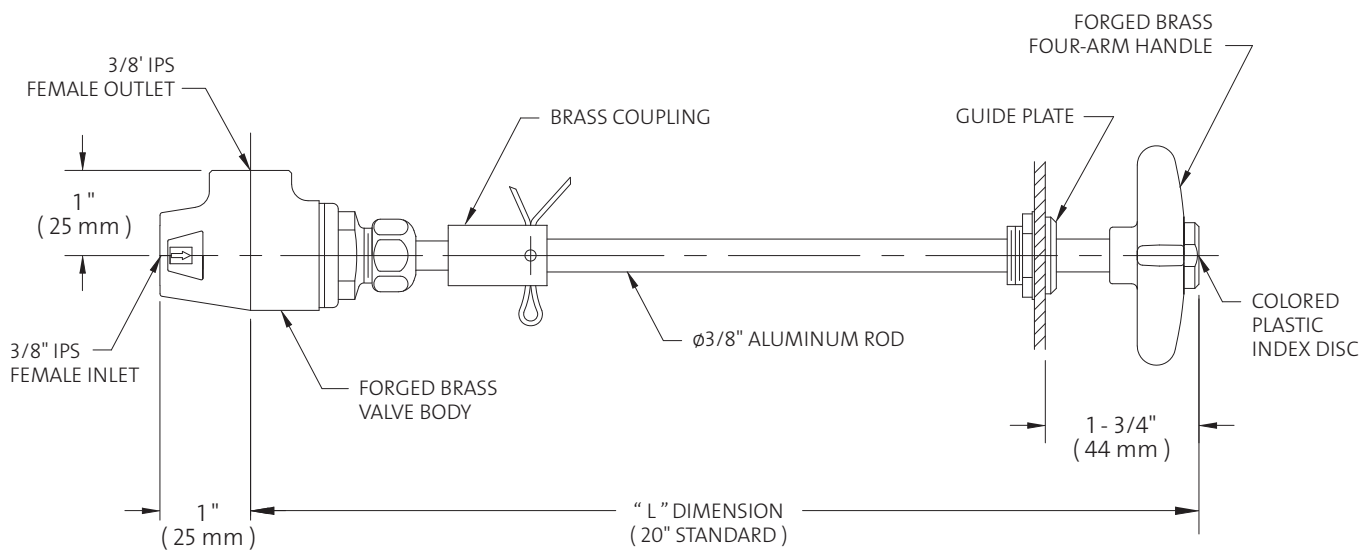


○ **L3185N** Remote Control Needle Valve, Rod-Type, Angle Pattern



NOTES:

1. VALVE IS CERTIFIED BY CSA INTERNATIONAL TO COMPLY WITH ANSI Z21.15 AND CGA 9.1.
2. VALVE IS FULLY ASSEMBLED AND FACTORY TESTED AT 225 PSI NITROGEN PRESSURE. MAXIMUM WORKING PRESSURE IS 150 PSI.
3. SPECIFY IF CLEANING FOR OXYGEN AND HIGH PURITY GASES IS REQUIRED.
4. REMOTE CONTROL VALVE IS FURNISHED COMPLETE WITH GUIDE PLATE, ROD AND HANDLE. WHEN ORDERING, SPECIFY TYPE OF GUIDE PLATE DESIRED, "L" DIMENSION AND SERVICE.

Measurements may vary $\pm 1/4$ ".