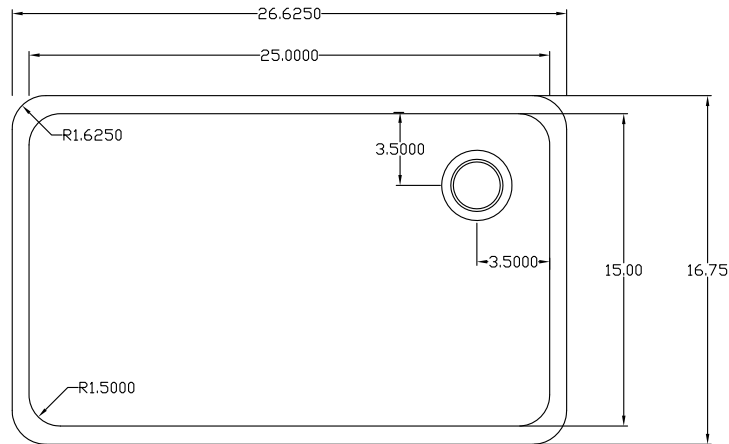


SECTION VIEW



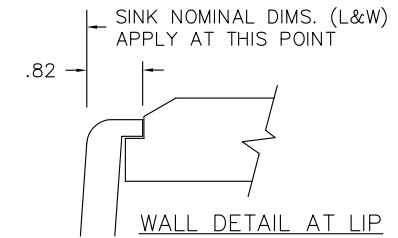
TOP VIEW



DRAIN OPENING DETAIL

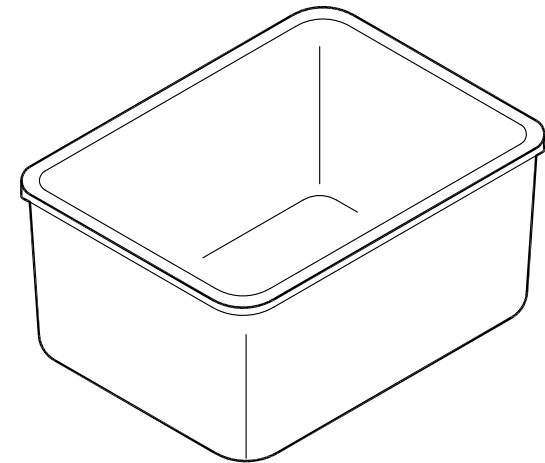
SECTION A-A

SECTION NOT TO SCALE



WALL DETAIL AT LIP

DETAIL NOT TO SCALE



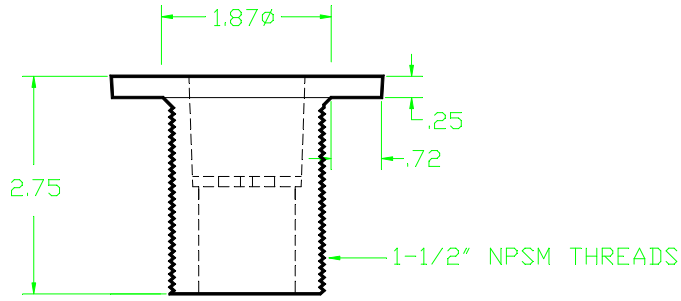
ISOMETRIC VIEW

"DIMENSIONS ARE NOMINAL, PROVIDED FOR PLANNING PURPOSES ONLY.
CONTACT DURCON FOR RECOMMENDED SINK CUTOUT DIMENSIONS TO INSURE A QUALITY INSTALLATION."

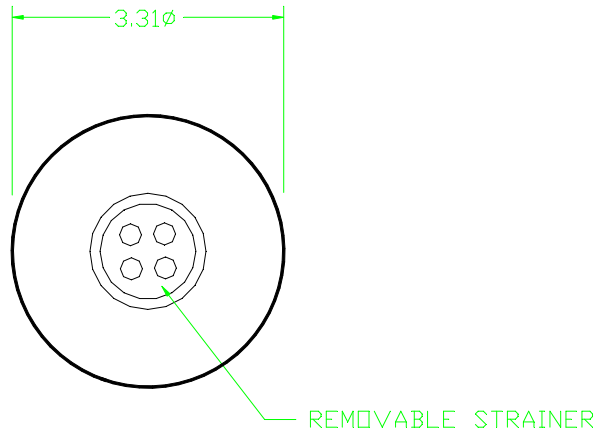
SINK	WEIGHT	OUTLET LOCAL.	CODE
D55	61 LBS	CORNER	SNKD-55-**

**FACTORY
TAYLOR TX**

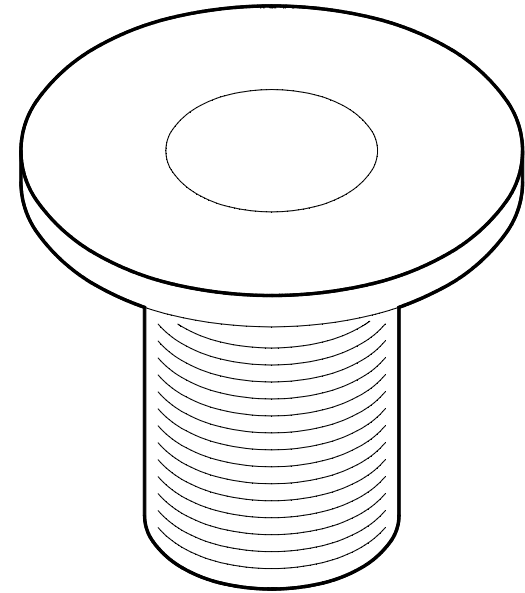
DATE: 04/27/10
SCALE: 1=1
DRAWN: RMJ
FILE: D55.DWG



FRONT VIEW



TOP VIEW



ISOMETRIC VIEW

SINK OUTLET

SINK	WEIGHT	OUTLET LOCAL.	CODE
SO-3R	.5 LBS	CENTER	SO-3R



REV. # ____
DATE: _____

DATE: 01/25/06
SCALE: N.T.S.
DRAWN: KJR
FILE: SO-3R.DWG