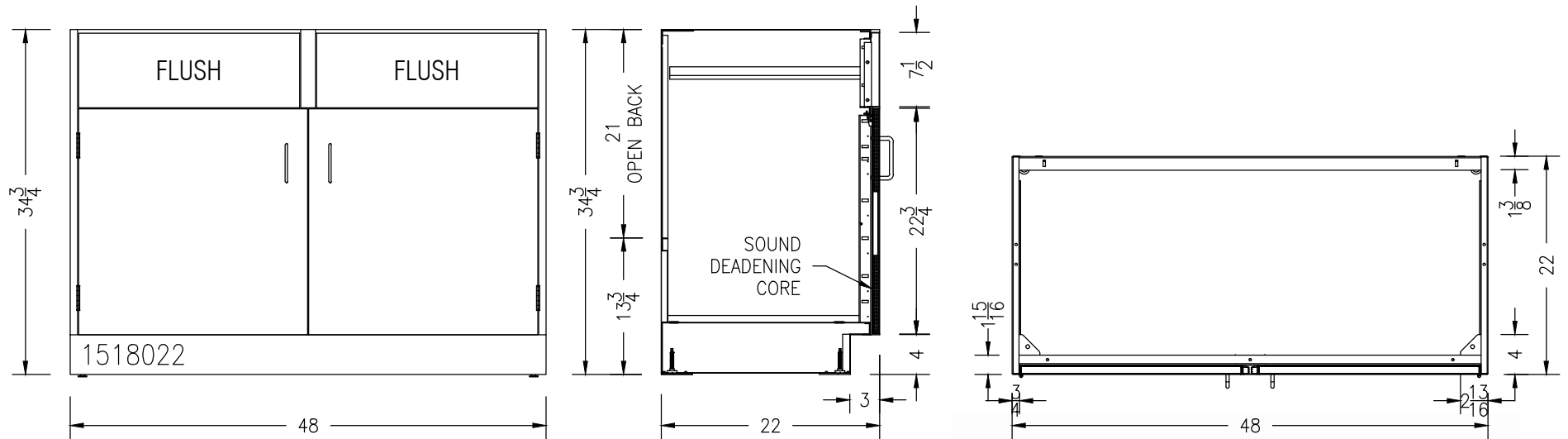


48"W 2-DOOR SINK BASE CABINET



- NYLON ROLLER DOOR CATCH
- ALUMINUM WIRE PULLS
- STAINLESS STEEL 5-KNUCKLE HINGES
- ADJUSTABLE LEVELING FEET WITH UP TO 1.5" OF ADJUSTMENT
- SOUND DEADENING CORE INSIDE DOOR FRONTS
- GALVANIZED INTERIOR CABINET BOTTOM
- COLOR: WARM GRAY

CABINET GAUGES

20 GAUGE	DOOR LINERS, REMOVABLE BACKS
18 GAUGE	CABINET GABLES, TOPS, BOTTOMS, TOEKICKS, OUTER DOOR FRONT PANELS
16 GAUGE	TOP AND INTERMEDIATE CHANNELS, BASE CABINET REAR RAIL
14 GAUGE	HINGE PLATES, BASE CABINET TOP RAIL
11 GAUGE	CABINET LEVELER SUPPORT



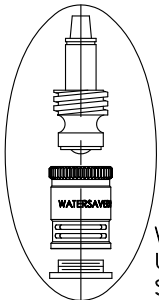
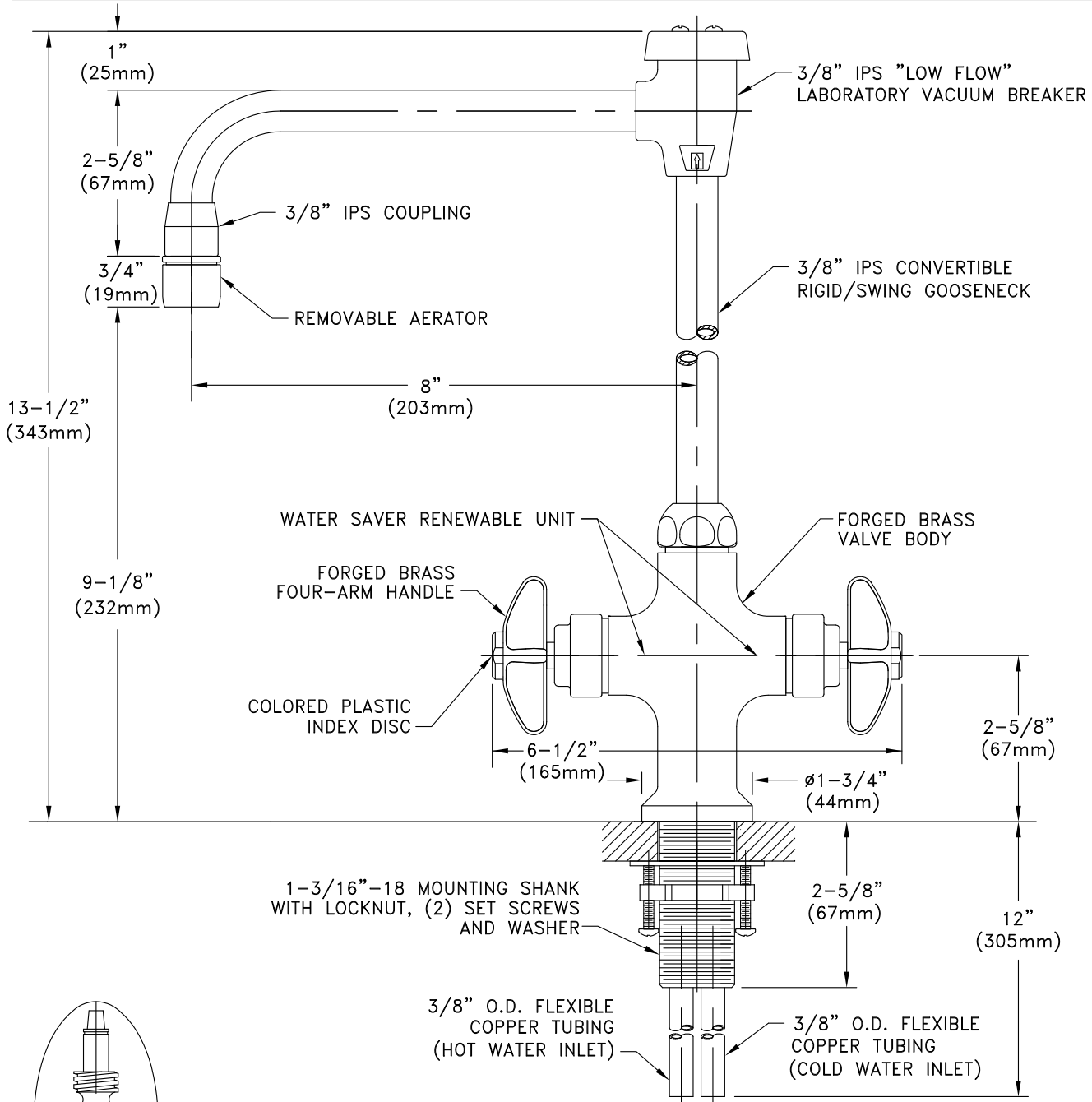

 online industrial & laboratory furniture
 888.635.2949 | NELdirect.com

1518022

09/08/15

L414-8VB55

LABORATORY MIXING FAUCET, DECK MOUNTED, 8" RIGID/SWING VACUUM BREAKER GOOSENECK, AERATOR



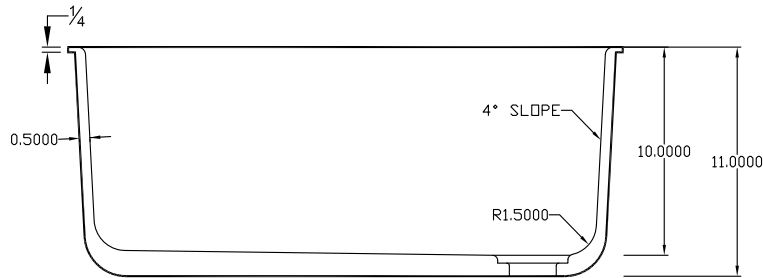
WATER SAVER RENEWABLE UNIT WITH REPLACEABLE STAINLESS STEEL SEAT

NOTES:

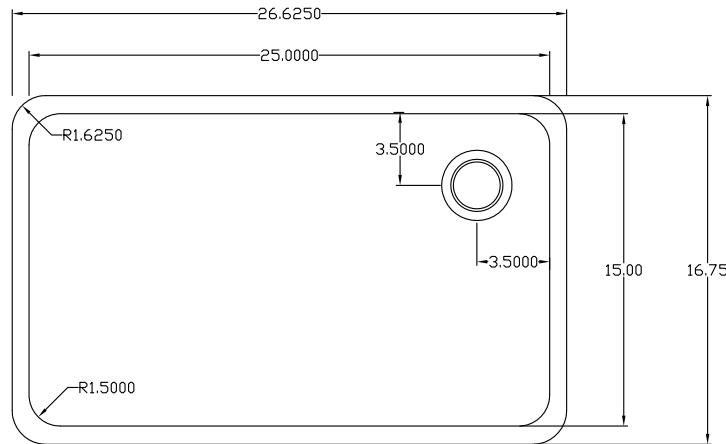
1. FIXTURE IS FULLY ASSEMBLED AND FACTORY TESTED PRIOR TO SHIPMENT.
2. VACUUM BREAKER IS CERTIFIED TO COMPLY WITH ASSE 1001.
3. FIXTURE IS CERTIFIED BY CSA INTERNATIONAL TO COMPLY WITH ASME A112.18.1M AND CSA B125.1.
4. FIXTURE HAS A POLISHED CHROME PLATED FINISH.



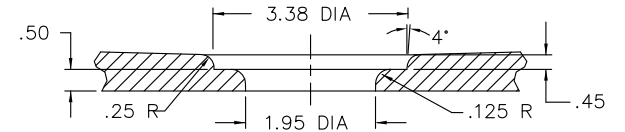
MEASUREMENTS MAY VARY ±1/4" (6mm).



SECTION VIEW



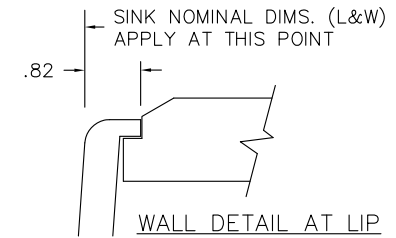
TOP VIEW



DRAIN OPENING DETAIL

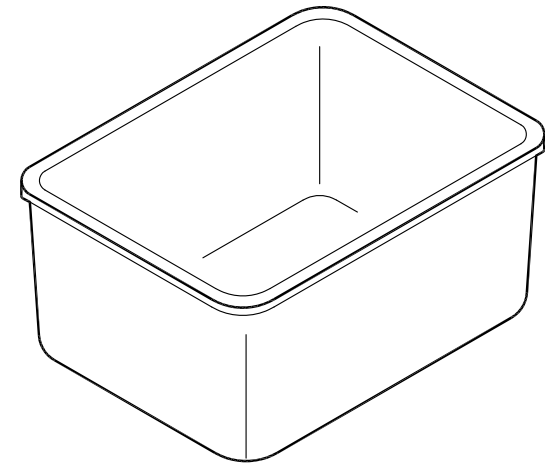
SECTION A-A

SECTION NOT TO SCALE



WALL DETAIL AT LIP

DETAIL NOT TO SCALE



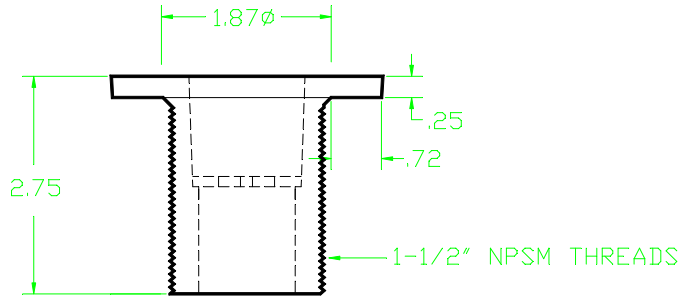
ISOMETRIC VIEW

"DIMENSIONS ARE NOMINAL, PROVIDED FOR PLANNING PURPOSES ONLY.
CONTACT DURCON FOR RECOMMENDED SINK CUTOUT DIMENSIONS TO INSURE A QUALITY INSTALLATION."

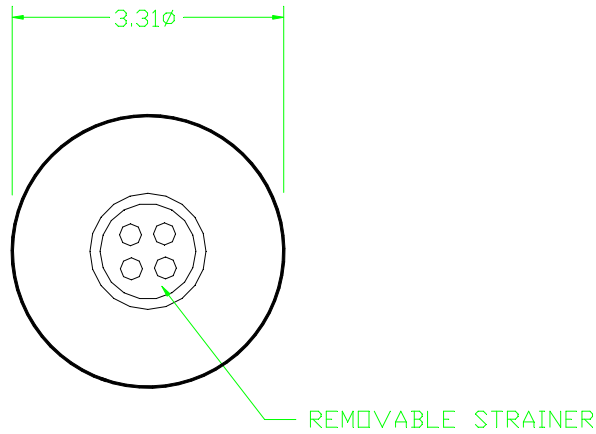
SINK	WEIGHT	OUTLET LOCAL.	CODE
D55	61 LBS	CORNER	SNKD-55-**

**FACTORY
TAYLOR TX**

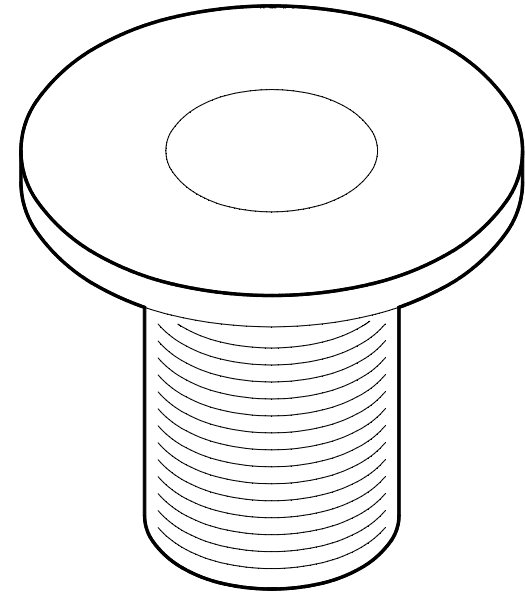
DATE: 04/27/10
SCALE: 1=1
DRAWN: RMJ
FILE: D55.DWG



FRONT VIEW



TOP VIEW



ISOMETRIC VIEW

SINK OUTLET

SINK	WEIGHT	OUTLET LOCAL.	CODE
SO-3R	.5 LBS	CENTER	SO-3R



REV. # ____
DATE: _____

DATE: 01/25/06
SCALE: N.T.S.
DRAWN: KJR
FILE: SO-3R.DWG