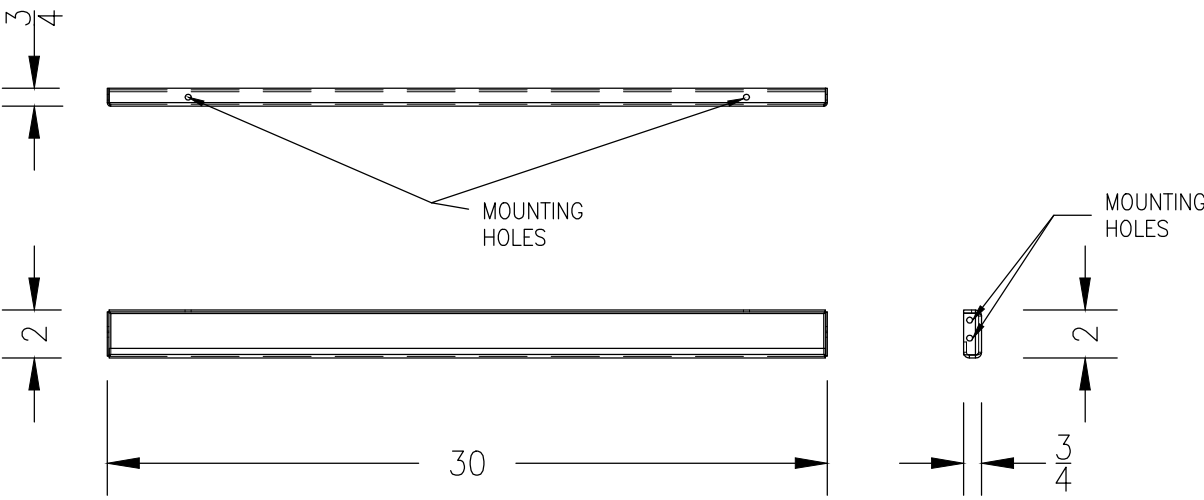


30"W FRONT RAIL - USE AT KNEESPACE LOCATIONS



- FRONT RAILS CAN BE USED AT KNEESPACE LOCATIONS
- COLOR: WARM GRAY

FILLER GAUGES	
18 GAUGE	FILLER PANELS


 online industrial & laboratory furniture
 888.635.2949 | NELdirect.com

FRB0030
09/08/15

* DISCLAIMER: THIS DOCUMENT IS INTENDED FOR GENERAL INFORMATION ONLY. CHANGES MAY OCCUR WITHOUT NOTICE AT THE DISCRETION OF NEW ENGLAND LAB DIRECT