

72"W PRO SERIES BENCH FUME HOOD - VERTICAL SASH

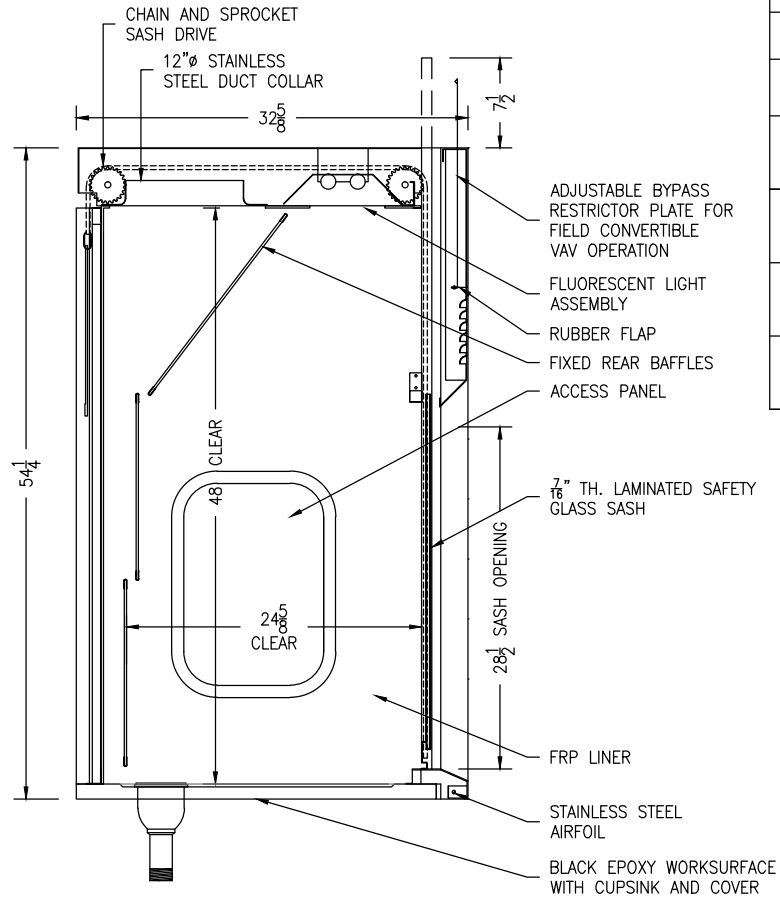
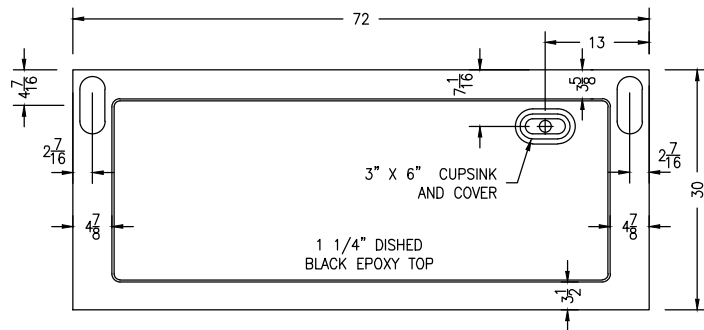
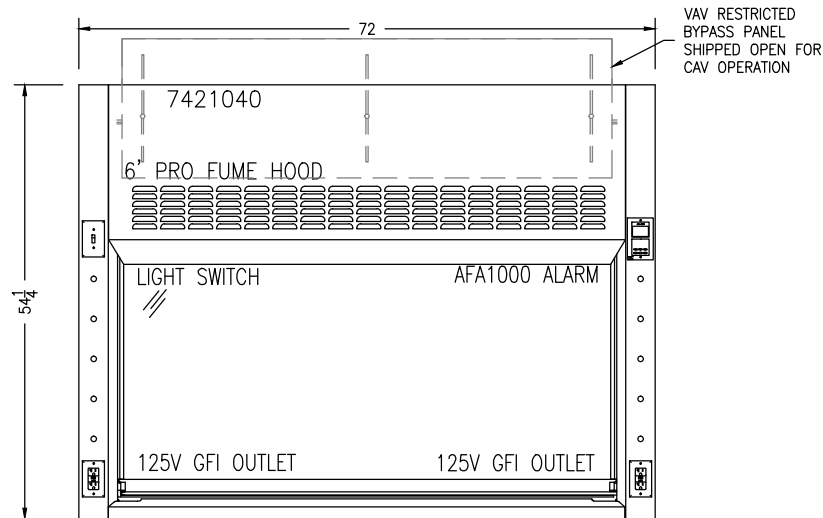
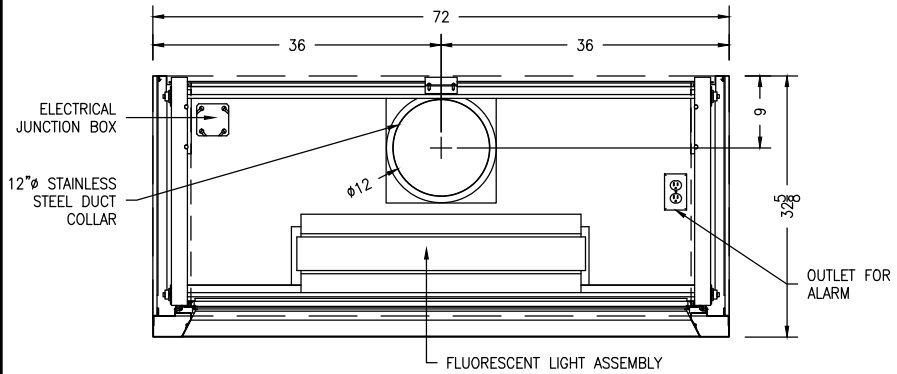
- BYPASS: AUTOMATICALLY COMPENSATING BYPASS FOR CAV AND FIELD CONVERTIBLE RESTRICTOR PANEL FOR VAV OPERATION
- LINER: WHITE FIBERGLASS REINFORCED POLYESTER (FRP) WHICH MEETS THE SEFA 8-1999 RECOMMENDATION FOR A LABORATORY GRADE FINISH
- SASH: $\frac{7}{16}$ " TH. LAMINATED SAFETY GLASS, CHAIN AND SPROCKET VERTICAL RISING WITH SASH STOPS AT 18" OPEN
- ELECTRICAL: TWO GFCI 120V 20A DUPLEX OUTLETS, LIGHT FIXTURE, AND SWITCH
- LIGHT: UL/CSA APPROVED FLUORESCENT BULBS PROVIDING 80 FOOTCANDLES AT THE WORKSURFACE
- ALARM: TEL AFA1000 AIR FLOW SENSOR WITH AUDIBLE AND VISUAL ALARM AND DIGITAL READOUT; ROOF MOUNTED DUPLEX OUTLET
- PLUMBING: PRE-PUNCHED FOR FUTURE FIXTURES (SOLD SEPARATELY); INTERIOR AND EXTERIOR ACCESS PANELS
- WORKSURFACE: $1\frac{1}{4}$ " DISHED BLACK EPOXY WITH RIGHT SIDE CUPSINK AND COVER
- AIRFOIL: TYPE 316 STAINLESS STEEL WITH CORD NOTCHES
- DUCT COLLAR: TYPE 316 STAINLESS BELL MOUTH SHAPE
- COLOR: WARM GRAY



WHITE FRP LINER

PROPERTY	TEST METHOD	
SPECIFIC GRAVITY	D-792	1.78
WATER ABSORPTION %	D-792	0.28%
FLAMMABILITY UL 94 V	UL 94	V-O
CALCULATED FLAME SPREAD	E-84	12.4
FLAME SPREAD INDEX	E-84	10
CALCULATED SMOKE EMISSION		184.5
SMOKE DEVELOPED INDEX		185
TENSILE STRENGTH, PSI		9,000
FLEXURAL STRENGTH, PSI		18,300
COMPRESSIVE STRENGTH FLATWISE, PSI	D-695	30,500
IMPACT STRENGTH EDGEWISE, FT/LBS		16.3
SHEAR STRENGTH, PSI	D-229	10923
ARC RESISTANCE, SECONDS	D-495	189
DIELECTRIC PREP. IN AIR, VPM	D-149	331
DIELECTRIC STRENGTH, PARALLEL, KV	D-149	48.62

72"W PRO SERIES BENCH FUME HOOD - VERTICAL SASH



7421040 AIR FLOW DATA	
HOOD WIDTH	72"
DUCT; DIAMETER	1; 12"
SASH OPEN 18" 80 FPM DATA	660 CFM @ .07" SP
SASH OPEN 28.5" 80 FPM DATA	1025 CFM @ .20" SP
SASH OPEN 18" 100 FPM DATA	825 CFM @ .11" SP
SASH OPEN 28.5" 100 FPM DATA	1280 CFM @ .25" SP

72"W PRO SERIES BENCH FUME HOOD - VERTICAL SASH ALARM INFORMATION



FRONT

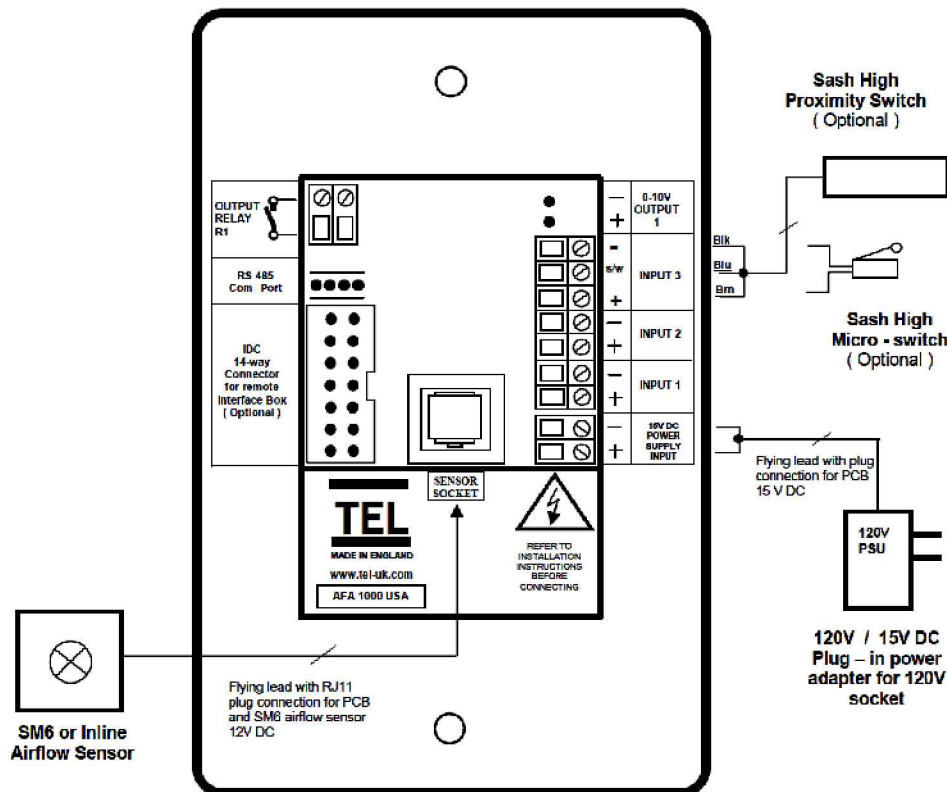
← VELOCITY BAR GRAPH
OR ALARM TIME LINE

← VELOCITY DISPLAY FPM
OR M/SEC

← LED INDICATORS

← FUNCTION AND UP/DOWN
BUTTONS FOR MENU
CONFIGURATION AND
CALIBRATION.
ENTER – ALSO USED
AS MUTE BUTTON FOR
AUDIBLE ALARM

NOTE: DEFAULT PASSWORD IS 0000



SM6 or Inline
Airflow Sensor

BACK

NEL *direct.*
online industrial & laboratory furniture
F 888.635.2949 | www.newenglandlabdirect.com

7421040 - 3 OF 4

09/09/15

72"W PRO SERIES BENCH FUME HOOD - VERTICAL SASH ALARM INFORMATION

GENERAL DESCRIPTION

ALL SYSTEMS COMPRISE OF THE FOLLOWING COMPONENTS:

- 1- SM6 AIRFLOW SENSOR
- 1- AFA1000 ALARM UNIT
- 1- DC POWER SUPPLY

DIGITAL DISPLAY

THE DIGITAL DISPLAY IS A BACK-LIT, FULL GRAPHIC UNIT WITH A VISUAL DISPLAY OF APPROX 56 X 27 MM. THE DISPLAY OPERATES THROUGH SOFTWARE ALLOWING THE GENERATION OF FIGURES, WORDING, AND ICONS.

THE DISPLAY SHOWS THE FUME HOOD FACE VELOCITY IN M/SEC OR FPM WHEN ENABLED OR THE ALTERNATIVE WITH NO VELOCITY READING BUT SHOWING AIR FAIL/AIR SAFE AS CONTINUOUS DISPLAY. ALL OF THE ABOVE ARE CONFIGURABLE VIA THE ALARM KEYPAD.

DISPLAYS INCLUDE: MUTE, SASH HIGH, EXT ALARM, AIR FAIL, HIGH AIR, SET-BACK, AND DISABLED.

LED INDICATORS:

THERE ARE THREE LED INDICATORS: RED = ALARM, AMBER = CAUTION, GREEN = SAFE

ENTER BUTTON:

CAN DO THE FOLLOWING FUNCTIONS: MUTE, CALIBRATE, AND CONFIGURE.

+/- BUTTON :

CAN SCROLL THROUGH MENUS

PLEASE CONTACT NEW ENGLAND LAB FOR COMPLETE OWNERS MANUAL.

EXTERNAL CONNECTIONS

INPUT 1, 2 AND 3: VOLT FREE RELAY INPUT CONFIGURABLE FOR NORMALLY CLOSED OR NORMALLY OPEN RELAYS. CAN BE CONFIGURED AS ALARM DISABLE, NIGHT SET-BACK, EXTERNAL ALARM, SASH HIGH, HIGH/LOW.

OUTPUT 1, 2 AND 3: VOLT FREE RELAY OUTPUT CONFIGURABLE AS NORMALLY CLOSED OR NORMALLY OPEN RELAYS.

COM PORT: RS485 TO ENABLE CONNECTION TO LAPTOP OR PC FOR FULL DIAGNOSTICS, LOGGING, OR SETTING UP FOR COMMUNICATIONS TO BUILDING COMPUTER SYSTEM (BMS).

POWER SUPPLY: LOW VOLTAGE DC POWER

AIRFLOW SENSOR: CONNECTION SOCKET FOR THE FACE VELOCITY AIRFLOW SENSOR

