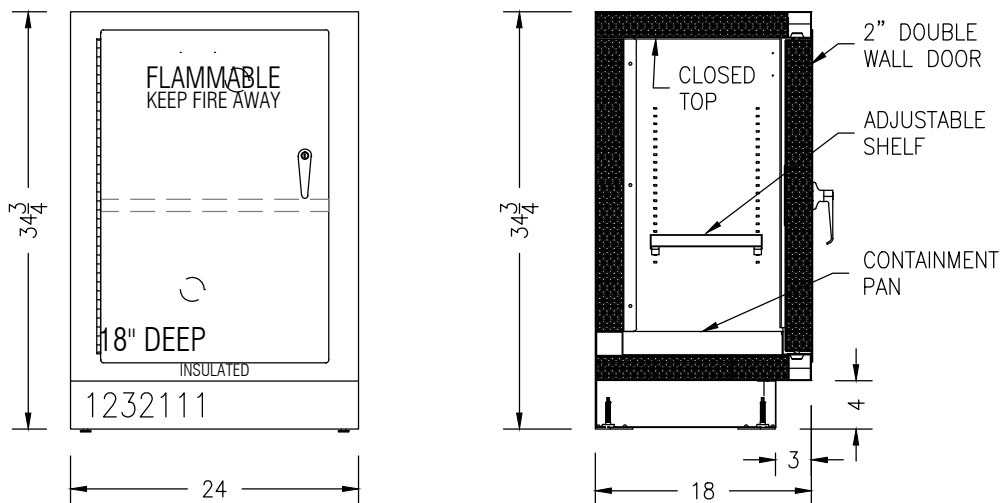


24"W LEFT HINGED INSULATED SOLVENT STORAGE CABINET



- THREE POINT LOCKABLE SELF-LATCHING HINGE
- PAINTED STEEL PIANO HINGE
- ADJUSTABLE LEVELING FEET WITH UP TO 1.5" OF ADJUSTMENT
- 2" INSULATED DOUBLE PANEL WALLS AND DOORS
- 2" DEEP LIQUID TIGHT SPILL CONTAINMENT PAN
- UL 1275 LISTED
- BUILT TO NFPA 30, NFPA 45, AND OSHA STANDARDS
- (1) PAINTED GALVANIZED STEEL ADJUSTABLE SHELF - KV239 SHELF CLIPS
- 2 PLUGS FOR POSSIBLE VENT CONNECTION - VENT NOT INCLUDED
- COLOR: WARM GRAY WITH RED "FLAMMABLE KEEP FIRE AWAY" LETTERING

CABINET GAUGES

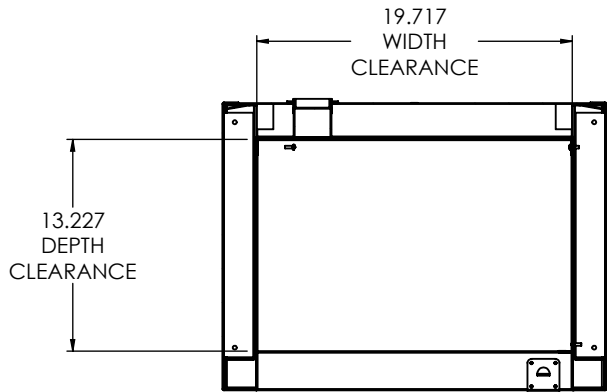
20 GAUGE	DOOR LINERS, REMOVABLE BACKS
18 GAUGE	CABINET GABLES, TOPS, BOTTOMS, TOEKICKS, OUTER DOOR FRONT PANELS
16 GAUGE	TOP AND INTERMEDIATE CHANNELS, BASE CABINET REAR RAIL
14 GAUGE	HINGE PLATES, BASE CABINET TOP RAIL
11 GAUGE	CABINET LEVELER SUPPORT



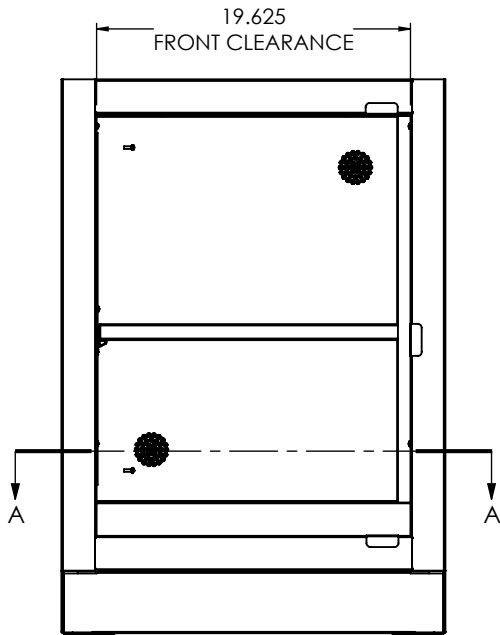
NEL direct
 online industrial & laboratory furniture
 888.635.2949 | NELdirect.com

1232111

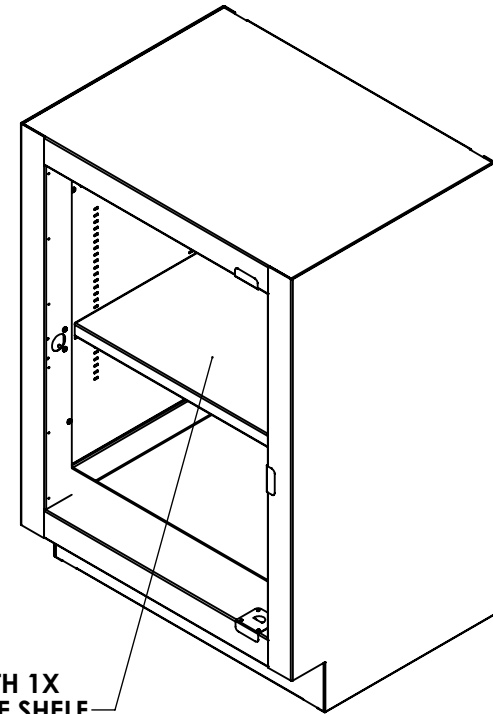
02/04/15






SECTION A-A



DOOR NOT SHOWN
FOR CLARITY



MATERIAL:		TITLE: SC - INSULATED L.H. 24"W x 34-3/4"H x 18" D	
	TOLERANCES (UNLESS OTHERWISE SPECIFIED) XX.XX ± .015 XX.XXX ± .008 ANGLES ± 1/2 DEGREE		DRAWN DATE: 1/1/2001 DRAWN BY: ADMIN
	THE IDEAS & INFORMATION CONTAINED WITHIN THIS PRINT ARE CONFIDENTIAL & MUST NOT BE LOANED, COPIED OR USED WITHOUT THE PRIOR WRITTEN CONSENT OF MOTT MANUFACTURING.		REV DATE: 01/01/2001 REVISED BY: ADMIN
 		DRAWING NUMBER: A0004226 SCALE: 1:12	REVISION A-00 SHEET 1 OF 1

